

## Flush Bottom Ball Valve



Flush Bottom Ball Valves are ideally suitable for the free flowing of liquid where space below vessel, tank (or) reactor is insufficient.

### HANDLE OPTION



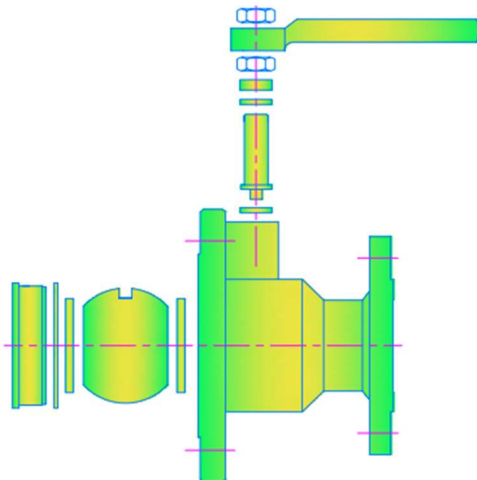
### Technical Data

- **Design and Manufacturing:** BS EN ISO 17292 / BS 5351 / API 6D
- **Inspection & Testing:** BS EN 12266 / BS 6755 PART 1 / API 598 / API 6D
- **Face to Face:** As per ANSI B 16.10
- **End Connections:** Flanged Ends as per ANSI B 16.5

### Special Features:

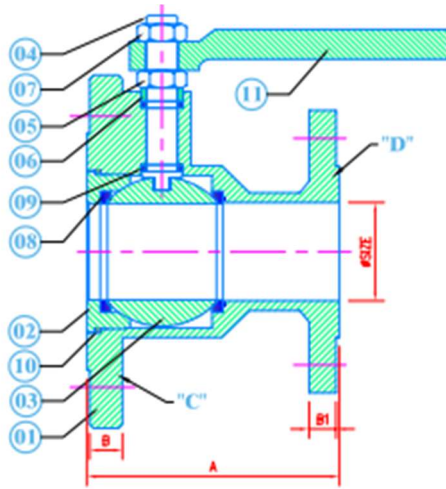
- Unique design of our flush bottom ball valves assures “Zero Dead Leg Area” above the ball where it tends to close.
- Casted and fabricated in all available metallurgy such as Carbon Steel, SS-304, SS-316, SS-304L, SS-316L, Hastelloy and as per special specifications.
- Valves available in the range of 25NB to 200NB and offered in end connections such as BS, ANSI, DIN standards.
- Anti-Blow proof stem.

PRIMARY SERVICE RATING & TEST PRESSURE				
CLASS	WORKING PRESSURE	HYD. TEST PRESSURE		
		BODY	SEAT	TEMP
150	150 PSIG	425 PSIG	300 PSIG	200 DEG.C
AIR TEST-SEAT 80 PSIG ± 10 PSIG				



### SUITABLE FOR

STEAM	WATER	OIL	PRODUCT	GASES
			●	



SL Nos.	DESCRIPTION	MATERIAL
01	BODY	C.S / CF8 / CF8M / CF3 / CF3M
02	RETURN NUT	C.I / CS / SS-202 / SS-304 / SS-316
03	BALL	SS-304 / SS-316
04	STEM	SS-304 / SS-316
05	GLAND NUT	SS-304 / SS-316 / MS
06	GLAND BUSH	SS-304 / SS-316 / MS
07	LOCK NUT	SS-304 / SS-316 / MS
08	SEAT RING	PTFE / GFT
09	BODY SEALENT RING	PTFE / GFT
10	LEVER	MS / SS-304

### DIMENSION DETAILS (MM)

SIZE MM	CLASS - 150					
	A	B	C-FLANGE	D-DLANGE	B	B1
15 x 25	70	12.5	25 NB -150#	15 NB -150#	11	11
20 x 25	76	20	25 NB -150#	20 NB -150#	11	11
25 x 40	76	25	40 NB -150#	25 NB -150#	11	11
40 x 50	105	38	50 NB -150#	40 NB -150#	14	14
50 x 80	125	50	80 NB -150#	50 NB -150#	16	16
80 x 100	155	76	100 NB -150#	80 NB -150#	19	19
100 x 150	176	100	150 NB -150#	100 NB -150#	24	24

\* In process of continuous improvement of products, the data given herein is subject to change.

### Please Note:

1. Flush Type Ball Valves are generally manufactured in reduced port socket head allen bolts instead of hex head bolt / nut
2. In reduced port design, the inlet flange "C" will be of higher size than outlet size flange "D".  
For Example, 50mm X 80mm flush type ball valve will have inlet side flange as per 80 NB ASA 150# and outlet side flange will be as per 50 NB ASA 150#.
3. End to End Dimension can be adjusted as per customer requirement.

### AUTHORISED DEALER: RAJ INDUSTRIAL STORES

Address: #24-3-10, Shop No. 7, Phase II, Dr. Deen Shaadikhana Complex, Old Post Office Junction, OneTown, Visakhapatnam-530001.

rajvizag@hotmail.com (or) sales.rajindustrial@hotmail.com , Ph: +91-9000271257, +91-9440087136.