

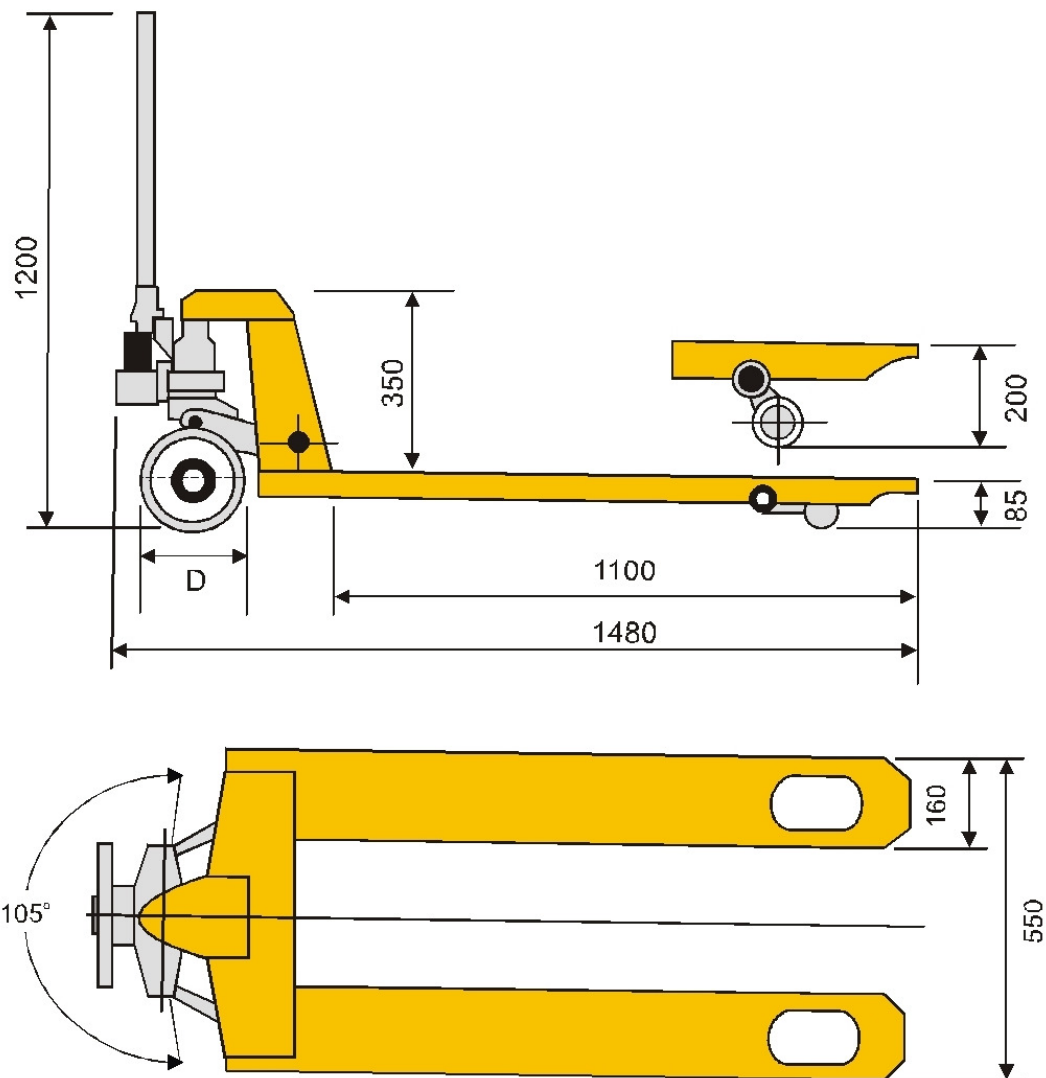


BRAD – HYDRAULIC PALLET TRUCKS

- * Excellent Maneuverability, rolls easy on sealed ball bearings, in all wheels specially engineered for severe conditions of dirt and dust.
- * Hydraulic Ram hard chrome plated to reduce wear and corrosion.
- * Light weight control handle with spring back action for pumping & steering
- * Unloading by lifting handle slowly so that Hydraulic Jack can lower
- * Easily replaceable suction cum pressure cartridge insert with built-in filter
- * Articulated axle, fitted with hardened bushes ensures permanent four point ground contact. Balances load on uneven and littered floors prevent frame twisting.
- * Top and bottom steering bearings share the load to ensure easy steering wheel rotation.
- * Bypass valve returns oil to tank when maximum height is obtained thereby protecting both the truck and operator.
- * Fast effortless lifting.
- * All assemblies electrically jig welded for accurate positioning, alignment, stability and easy replacement.
- * Leak proof hydraulics with wiper seals fitted on both pumps and cylinder plunger to protect from ingress of dirt and dust.
- * Brad Pallet Trucks are provided with Nylon wheels which ensures excellent maneuverability. These wheels are designed in such a manner that they maintain their own level of uneven ground and can thus smoothly glide in and out of small pot holes and slightly uneven surfaces. The tractive force required is much less than conventional wheels.

Specifications

Capacity (kg)	2500	
Min. Fork height (mm)	85	
Min. Fork height (mm)	200	
Steering wheel (mm)	Dia 200 x 50	
Load roller (mm)	Single Tandem	Dia 80 x 70
		Dia 80 70
Size of fork (mm)	160 x 60	
Width overall forks (mm)	550	
Fork length (mm)	1100	



AUTHORISED DEALER: RAJ INDUSTRIAL STORES

Address: 32-37-16/5, 75 Feet Road, opp. Ramakrishna Theatre, Visakhapatnam-530001.
 Email: rajvizag@hotmail.com (or) sales.rajindustrial@hotmail.com , Ph: +91-9000271257,
 +91-9440087136