

# VTZ VALVES AND AUTOMATION

(An ISO 9001: 2015 Certified Company)



U . . . M . @ . †

VTZ Valves And Automation brass ball valves are Compact, heavy duty, simple & cost effective. All our range of brass ball valves are full flow, quarter turn, handle operated, general purpose ball valves to control or stop the flow of liquid or gas in any piping systems. These valves are manufactured from forgings of graded brass extruded rods and machined on highly accurate CNC machines to achieve international standard quality.

Brass Ball Valves are manufactured by VTZ Valves And Automation .These valves are designed and developed according to International standard EN 13547-2013. The design construction of valve is competent to achieve 25 Bar Low pressure of water.

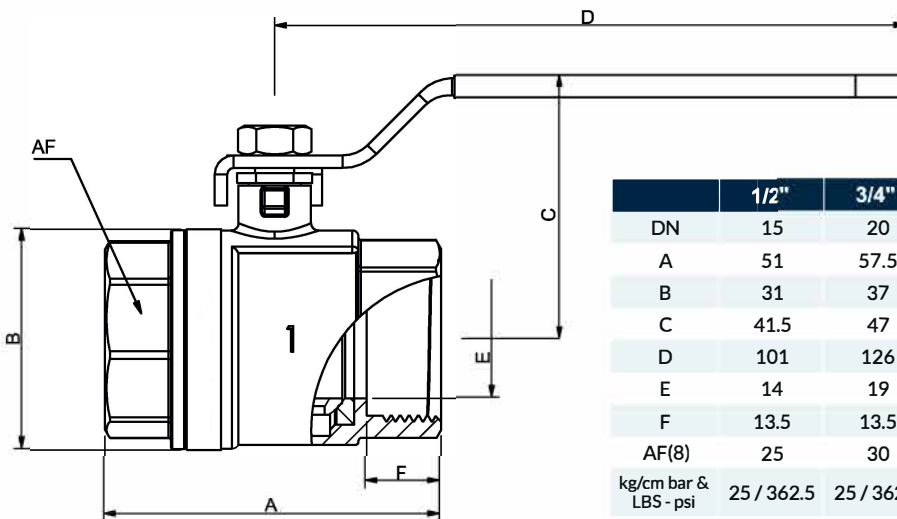
100 % valves are tested at 6 bar air pressure according to standard EN 12266-1.

**OUR BRASS BALL VALVES ARE SAFE FOR DRINKING WATER APPLICATIONS.**

## Installation

Our range of brass ball valves can be installed bi-directional.

## Size Specification



	1/2"	3/4"	1"	1 1/4"	1 1/2"	2"
DN	15	20	25	32	40	50
A	51	57.5	67	76	89	105
B	31	37	44	55	65	82
C	41.5	47	51	70	75	84
D	101	126	126	178	178	200
E	14	19	23.5	30	37	48
F	13.5	13.5	15	16	18	19
AF(8)	25	30	37	46	53	65
kg/cm bar & LBS - psi	25 / 362.5	25 / 362.5	25 / 362.5	25 / 362.5	25 / 362.5	25 / 362.5

(All dimensions are in mm)

# BRASS FORGED BALL VALVE



## Specifications

- » Material - Full brass forged body. (Nickel plated)
- » Seat ring – Virgin PTFE (Teflon).
- » Lever – Dacromet® coated steel handle.
- » Spindle – Blow out proof.
- » Ball – Super finish chrome plated
- » End threads – BSP to ISO 228 at both ends.
- » Temp. Working: -20 to 180 degree C.
- » Pressure range – 25 Bar (at 60 degree C).
- » Material grade, size & pressure range permanently roll marked on the surface.
- » Dust and thread protection Cap.

**RUST PROOF  
DACROMET® COATED**

## Benefits

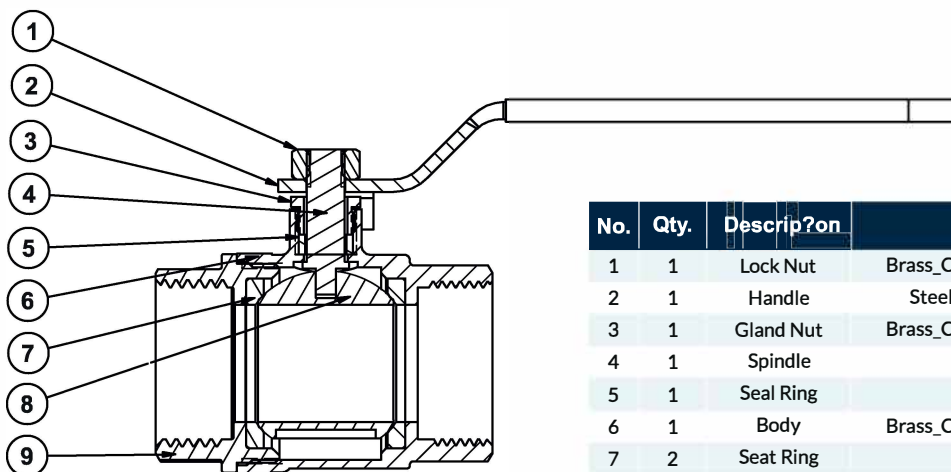
**VTZ Valves and Automation** valves are highly corrosion (rust) resistance with hard water contact.

**VTZ Valves and Automation** valves are designed such that no leakage at low pressure.

**VTZ Valves and Automation** valves are manufactured from low lead content brass (CW 617N) and are safe for drinking water and health.

**VTZ Valves and Automation** valves are easy to fit and replace with standard pipe threads.

## Material Specification



No.	Qty.	Description	Material	Standard
1	1	Lock Nut	Brass_CW614N (Nickel Plated)	EN 12165
2	1	Handle	Steel (Dacromet® Coated)	EN 10111
3	1	Gland Nut	Brass_CW614N (Nickel Plated)	EN 12165
4	1	Spindle	Brass_CW614N	EN 12165
5	1	Seal Ring	PTFE	-
6	1	Body	Brass_CW617N (Nickel Plated)	EN 12165
7	2	Seat Ring	PTFE	-
8	1	Ball	Brass_CW617N (Polished NiCr Plated)	EN 12165
9	1	Nut	Brass_CW617N (Nickel Plated)	EN 12165



## **VTZ VALVES AND AUTOMATION**

**Address: #24-3-10/6, Dr.Deen Shaadikhana Complex, Old Post Office Jn,  
One Town Visakhapatnam- 530001.**

**Mobile: +91-9000271257 , +91-9440087136,**

**Email: [vtzvalves@hotmail.com](mailto:vtzvalves@hotmail.com) ; [vtzvalves@gmail.com](mailto:vtzvalves@gmail.com)**